

Package Information

8582D 2 in 1 Soldering Station Body	*1
908D Soldering Iron	*1
Hot Air Gun	*1
Soldering Handle Bracket	*1
Clean Sponge	*1
Power Cord	*1
Hot Air Nozzle	*4
User's Manual	*1

2 in 1 Soldering Station

User's Manual

CAUTIONS!

Thanks for your purchase of this product, please read this manual carefully before using, and keep it safe after reading for later reference.

Precautions

For your own safety, please strictly comply with the rules of "Precautions".

The use of the instructions: "WARNINGS!" and "CAUTIONS!" are defined as follows:

WARNINGS! Incorrect operation can cause death or serious injury.

CAUTIONS! Misuse may cause injury to the user or to cause substantial damage to the object involved.

CAUTIONS!

When the power is switched on, the temperature of the welding nozzle and air nozzle is between 100°C (212°F) and 480°C (896°F). Abuse of using can cause burns or fire, please strictly comply with the following when using this machine:

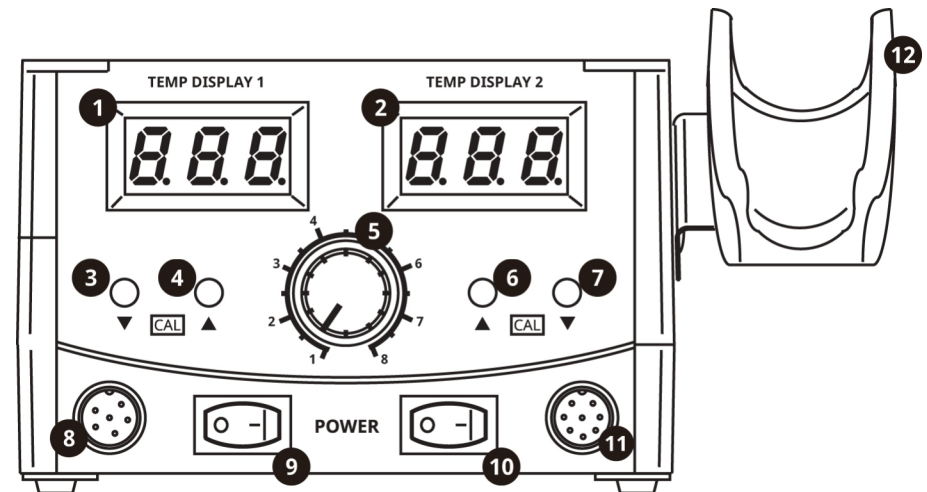
- Do not touch the metal part near by the solding nozzle and the hot air nozzle.
- Do not use the solding station near any flammable objects.
- Notify the other people in the working site when solding nozzle and the hot air nozzle is extremely hot, it may lead to dangerous accidents. And the power should be turned off when the machine is resting or the operation is finished.
- The power supply should be turned off and wait for it to be cooled to room temperature when replacing the solding nozzle and the hot air nozzle of the machine.
- Do not use the solding station other than welding.
- After the hot air handle is used, it should be placed on the bracket to cool down with cooling air and enter into sleeping mode, then turn off the power supply.
- Do not use the solding handle to knock on the table to remove the solder residue, keep the hot air nozzle free from block, block of air nozzle could severely damage the handle.
- Do not change the parts of the machine without authorization.
- Only original parts should be used when replace spare parts.

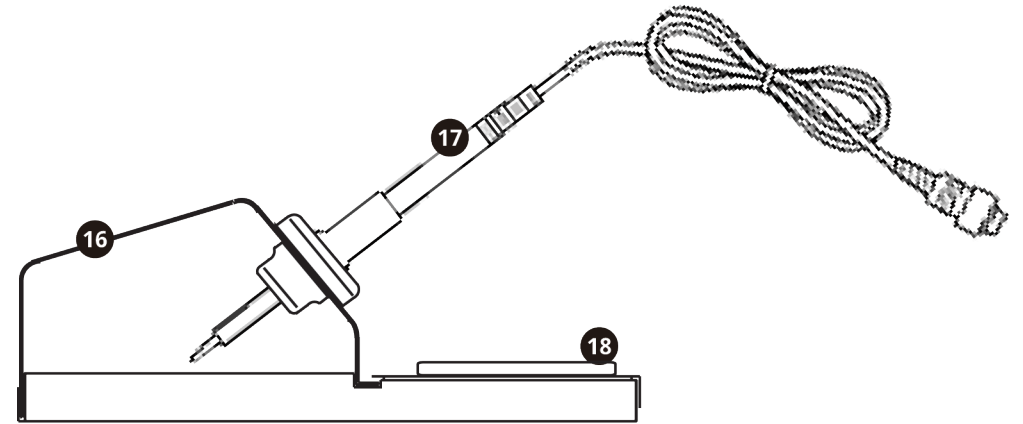
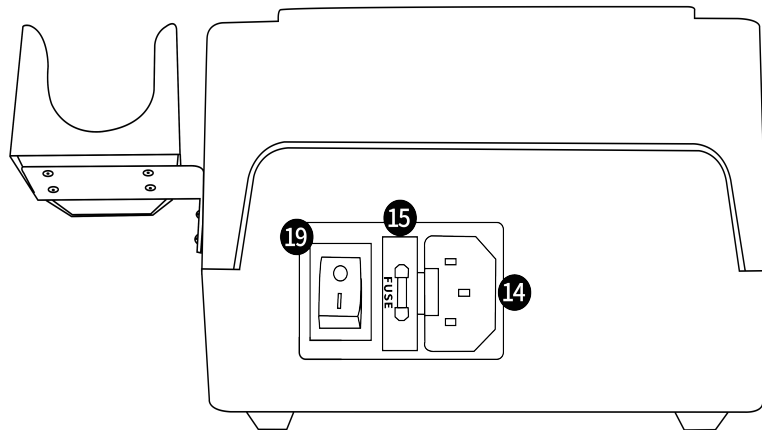
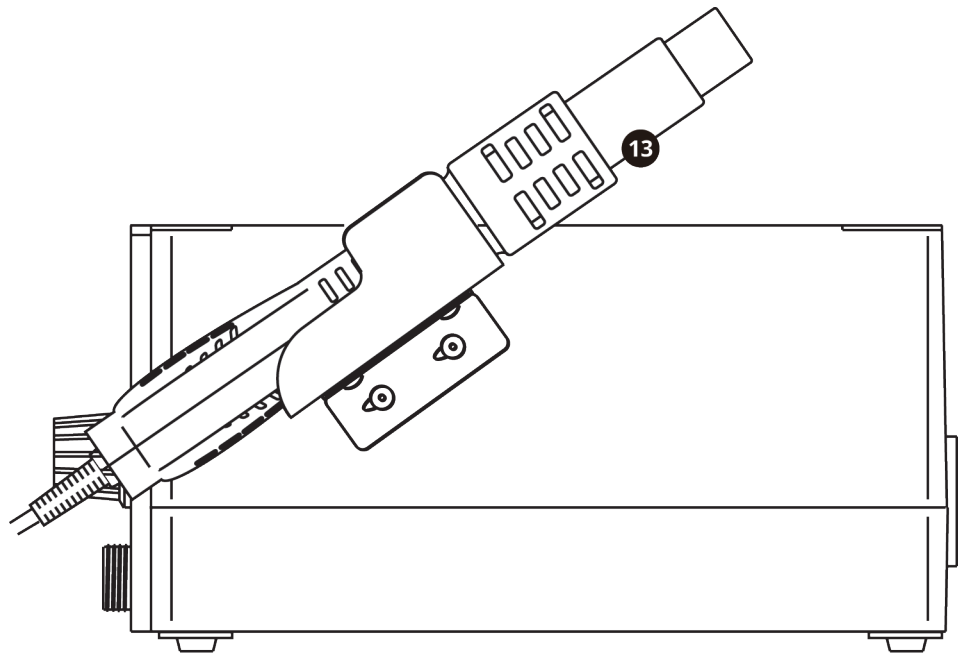
- Do not use the solding station in high moisture environment, do not make the machine or any parts of the machine wet, dry your hands when using this machine.
- It would smoke in solding process or blowing hot air, workshop should have good ventilation facilities.
- When using this solding station, do not make any process that may injure your body or objects.
- Children should not use the solding station and keep the solding station away from them.

WARNINGS!

Power supply should be turned off before maintenance, or there may be an electric shock, If the machine is faulty or damaged, please ask qualified person only to repair.

Schematic Diagram





- 1 Soldering Temperature Display
- 2 Hot Air Temperature Display
- 3 Soldering Cooling Button
- 4 Soldering Heating Button
- 5 Air Volume Control Knob
- 6 Hot Air Heating Button
- 7 Hot Air Cooling Button
- 8 Soldering Handle Interface
- 9 Soldering Power Switch
- 10 Hot Air Power Switch
- 11 Hot Air Handle Interface
- 12 Hot Air Handle Resting Bracket
- 13 Hot Air Handle Body
- 14 Power Cord Socket
- 15 Power Fuse Holder
- 16 Soldering Handle Body Bracket
- 17 Soldering Handle Body
- 18 Clean Sponge
- 19 Mains switch

Introduction

The 2 in 1 Soldering Station has dual blue LED display sets, accurate setting and control temperature at $\pm 1^\circ\text{C}$, temperature adjustment range from 100°C to 480°C (212°F - 896°F), temperature tolerance is within $\pm 2^\circ\text{C}$. High volume hot air gun, heating up quickly, the wind is soft and large, suitable for lead and unleaded operation. The most scientific and fashionable two in one design, with quality ABS plastic housing, the machine is compact and durable. Anti-static design of the whole machine, effectively eliminate the damage of SMD components. It has also the function of fault self-detection and fault warning.

Operation Guide

SOLDERING

Turn on the main power switch at the rear of the Soldering Station, and both screens display "---". Turn on the switch of soldering part, display the previous set temperature, and actual temperature will be displayed in 1.5 seconds.



The machine is heating when the blue light on the bottom right corner of LED display is on, stops heating when the blue light is off, blue light flashes for constant temperature.



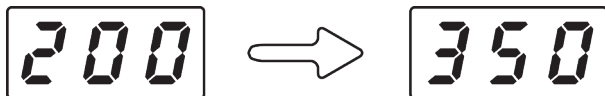
Setting Temperature

Use \blacktriangle button to heating or \blacktriangledown button for cooling. Hold down the button to set temperature value from 200°C to 480°C (392°F - 896°F).

The machine will automatically save set value when LED display blinks.

For example, setting the value from 200°C (392°F) to 350°C (662°F)

Display 200—hold down the \blacktriangle button, until display 350,



$^\circ\text{C}$ / $^\circ\text{F}$ Temperature conversion

Press the "SOLDERING" \blacktriangledown and \blacktriangle button at the same time, the "SOLDERING" screen will display "--1", and then select $^\circ\text{C}/^\circ\text{F}$ by adjusting the \blacktriangledown or \blacktriangle button of "HOTAIR". The setting will be automatically saved after 8 seconds.



Sleep Mode

Press the "SOLDERING" \blacktriangledown and \blacktriangle button at the same time, and then press \blacktriangle to make the screen will display "--2", and then select by adjusting the "HOTAIR" \blacktriangle button 0-99 minutes. set the sleep time, and automatically save the setting after 8 seconds.

This '000' means Sleep mode off

This '001' means no operation for 1 minute, the soldering station will enter sleep mode.



Soldering iron will be automatically cooled to 200°C (392°F) in sleeping mode, the soldering iron temperature window will display the "SLP"



These 3 methods can wake up the sleeping mode:

1. Pick up the soldering iron handle, soldering iron will be directly heated to the set temperature value.
2. Press any button to setting temperature.
3. Switch off/on Power Supply.

CAL - Temperature Calibration Setting

Press the "SOLDERING" \blacktriangledown and \blacktriangle button at the same time, and then press \blacktriangle to make the screen will display "--3", and then select by adjusting the "HOTAIR" \blacktriangle or \blacktriangledown button -50~50. set the soldering iron Temperature Calibration. and automatically save the setting after 8 seconds.



For example, if the soldering iron temperature shows 350°C(662°F), the actual temperature measured by the soldering iron temperature tester is 360°C (680°F) . You can subtract 10 from the temperature calibration setting

(It is recommended to add tin to the soldering iron in close contact with the measurement sensor)

S--Save Mode (Error Display)

If the temperature sensor is broken or has internal circuit failure, S-E would be displayed, the current of the handle would be stopped.

Note: if the soldering iron handle is not completely inserted or the setting temperature is over the limit, the S-E sign will also display. Turn off the power supply or insert the handle properly in its place will solve the error.

Hot Air Gun

1. Place the hot air handle on the bracket.
2. Install required wind nozzle (Try to use large nozzles)
3. Turn on the switch, **HOT AIR** LED will displays "---", at this point the hot air gun is in standby mode.

4. Press ▲ or ▼ to set the required working temperature. Press the button once to adjusted 1°C, hold the button can quickly adjust the temperature.
5. Pick up the hot air handle for normal working, adjust the air volume knob to make the air volume as required, working process can start when the temperature is constant with flashing blue light.
6. After the work is finished, the hot air handle must be placed on the bracket, and the hot air gun will cut off the heating power supply and enter into cooling mode, when the temperature is below 100°C (212°F), the hot air gun will into sleeping mode, pick it up when you need to use the hot air handle, if do not use for a long time, must turn off the hot air power switch.



In most cases, please use the low temperature with maximum wind, it helps to extend the lifespan of hot air station and the IC chip.

CAL - Temperature Calibration Setting

Press the "SOLDERING" "▼ and ▲" button at the same time, and then press "▲" to make the screen will display "--4", and then select by adjusting the "HOTAIR" "▲" or "▼" button -50~50. set the hot air gun Temperature Calibration . and automatically save the setting after 8 seconds.

For example, if the hot air gun temperature shows 350°C(662°F), the actual temperature measured by the temperature tester is 360°C (680°F) You can subtract 10 from the hot air gun temperature calibration setting

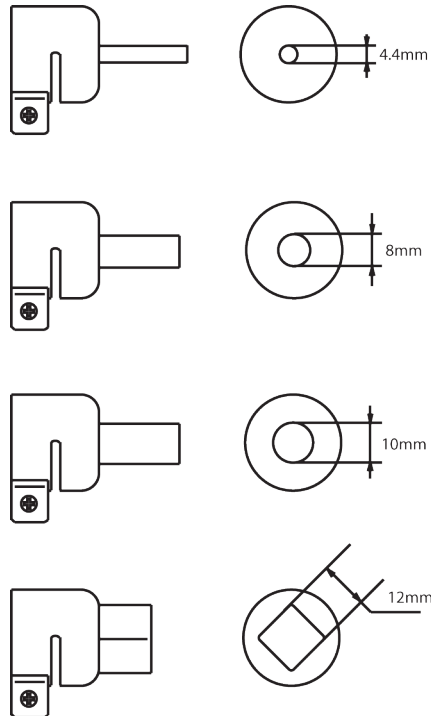
Note: symbol description

A. Display "---" means outlet temperature is lower than 100°C (212°F), and the hot air gun enters the sleep mode.

B. Display "S-E" indicates that there is a problem with the air gun sensor or its components, and the heating element or the handle need to be replaced.

C. When display temperature is less than 50°C (122°F), and no longer heating up, it means that the heating element of the hot air station is likely damaged, need to replace the heating core or handle.

Hot Air Nozzle Descriptions



Specifications

Country and Area	Russian Federation Europe and Oceania		United States North America	
	Soldering Iron	Hot Air Gun	Soldering Iron	Hot Air Gun
Input Voltage (V)	AC220-230		AC100-120	
Output Power (W)	70	750	70	750
Heat Adjustment (°C)	200-480	100-500	200-480	100-500
Temperature Stability (°C)	±1	±2	±1	±2
Handle Operating Voltage (V)	AC24	AC220-230	AC24	AC100-120
Air Flow (L/min)	/	120	/	120
Nozzle to Ground Resistance (Ω)	<2			
Welding Nozzle to Ground Voltage (mV)	<2			